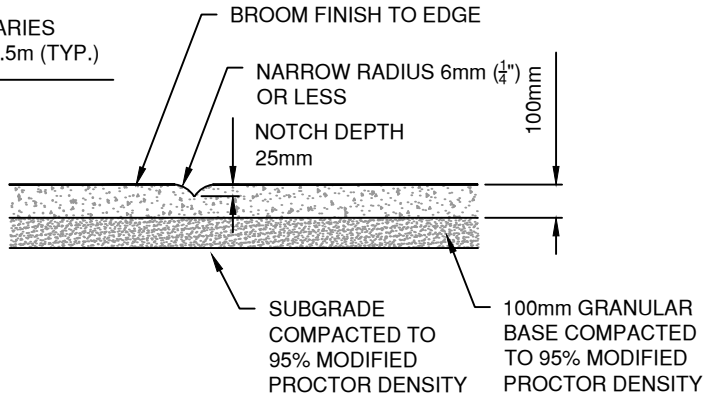


PLAN VIEW



DETAIL: CALIFORNIA TROWEL FINISH

NOTES:

1. HIGH VOLUME PEDESTRIAN AREAS REQUIRE 2.0m WIDE SIDEWALKS. LOW VOLUME AREAS REQUIRE A WIDTH OF 1.8m. CNV STAFF WILL PROVIDE DIRECTION AS TO WHICH IS REQUIRED.
2. ELEVATION TRANSITION BETWEEN NEW AND EXISTING SIDEWALK PANELS SHOULD BE SMOOTH. LESS THAN 8% OVER 2m.

(N.T.S.) METRIC

# CITY OF NORTH VANCOUVER

## STANDARD SIDEWALK - RESIDENTIAL TROWEL FINISH

DRAWN: J. NYVALL	DATE: JULY 2021	DWG.No. C19S
CHECKED: C. LINDGREN	APPROVED: J. HALL	