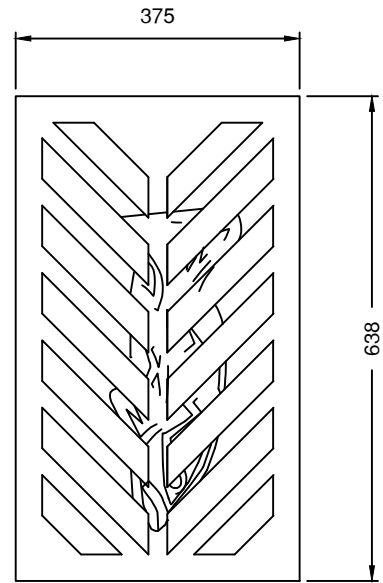
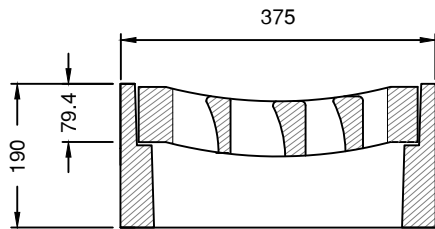


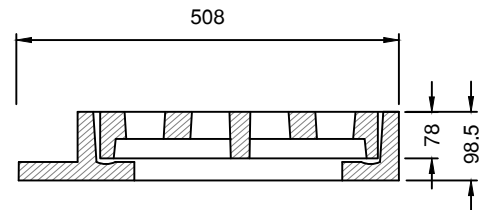
**B-23 DRAINAGE GRATE
PLAN VIEW**



**B-18A HERRING BONE GRATE
PLAN VIEW**



**B-24 FRAME AND B23 GRATE
PROFILE VIEW**



**B-19 FRAME AND B24 GRATE
PROFILE VIEW**

NOTE:

1. GRATES AND FRAMES SUPPLIED BY DOBNEY FOUNDRY LTD.
DOBNEYFOUNDRY.COM
2. HERRING BONE GRATE - B-18A USE WITH B-19 FRAME
3. DRAINAGE GRATE - B-23 USE WITH B-24 OR B-24M FRAME

(N.T.S.)

DIMENSIONS IN mm

CITY OF NORTH VANCOUVER

CATCH BASIN GRATES

DRAWN: JN

DATE: MARCH 2019

DWG.No.

S16S

CHECKED: DTM

APPROVED: DTM