

\*FINAL DIMENSIONS MAY VARY AS DETERMINED BY LOCATION OF BUILDING FACE



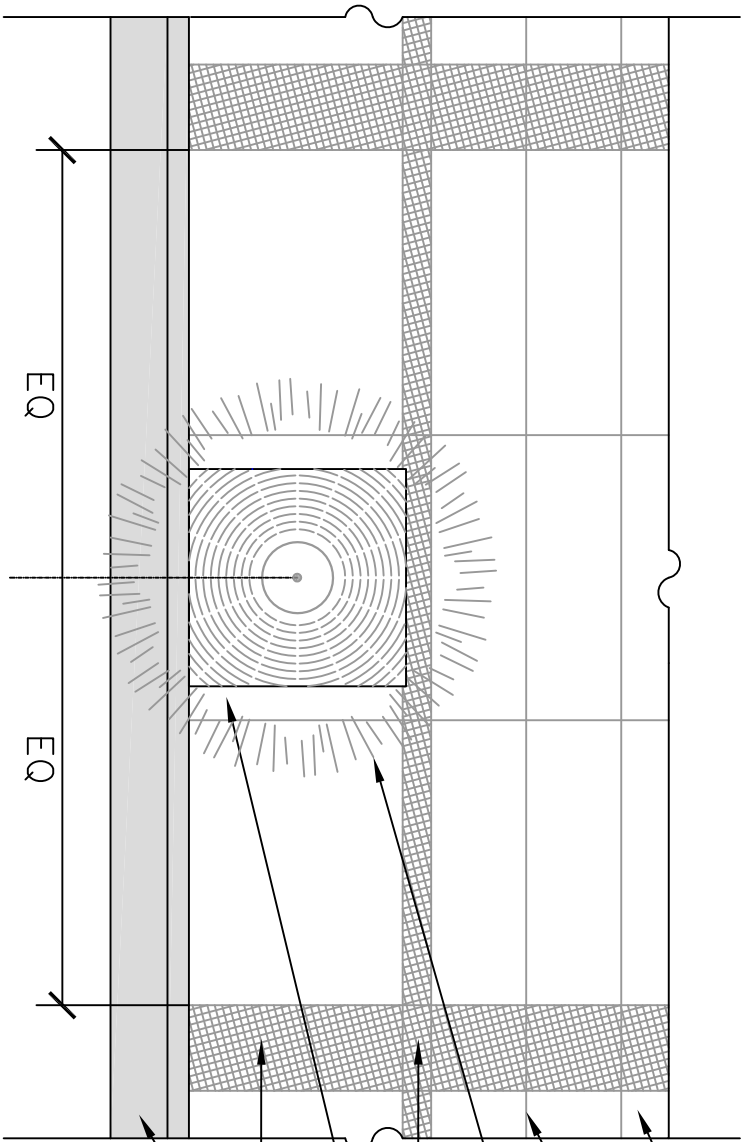
600mm EXPOSED AGGREGATE BANDING  
 200mm EXPOSED AGGREGATE BANDING  
 MODIFIED TROWL JOINTS  
 (CALIFORNIA STYLE) AS BELOW:

C-5 CURB AS PER MMCD

**CITY OF NORTH VANCOUVER**

Lonsdale Streetscape Standard – Typical Sidewalk Condition

LOCATION: X:/EPE PROJECTS/5400-19-02 STREETScape DESIGN GUIDELINES/FILE	APPROVED: D. Pope			DATE:	DWG.No.
DRAWN: E. Tahd	CHECKED:			REVISED - August, 2014	LSS-01



NOTE: TREE TO BE CENTERED BETWEEN VERTICAL (600 MM) WIDE BANDS. MAY VARY DUE TO SITE CONDITIONS; REVISE ONLY IN CONSULTATION WITH CNV REPRESENTATIVE

- SIDEWALK FIELD:  
LIGHT BROOM FINISH
- MODIFIED TROWL JOINTS  
(CALIFORNIA STYLE)
- STREET TREE  
AS PER CNV STANDARD
- 200mm EXPOSED AGGREGATE BANDING
- 5'X5' DOBNEY TREE GRATE  
(OPTION: CRUSHED STONE)
- 600mm EXPOSED AGGREGATE BANDING
- C-5 CURB AS PER MMCD

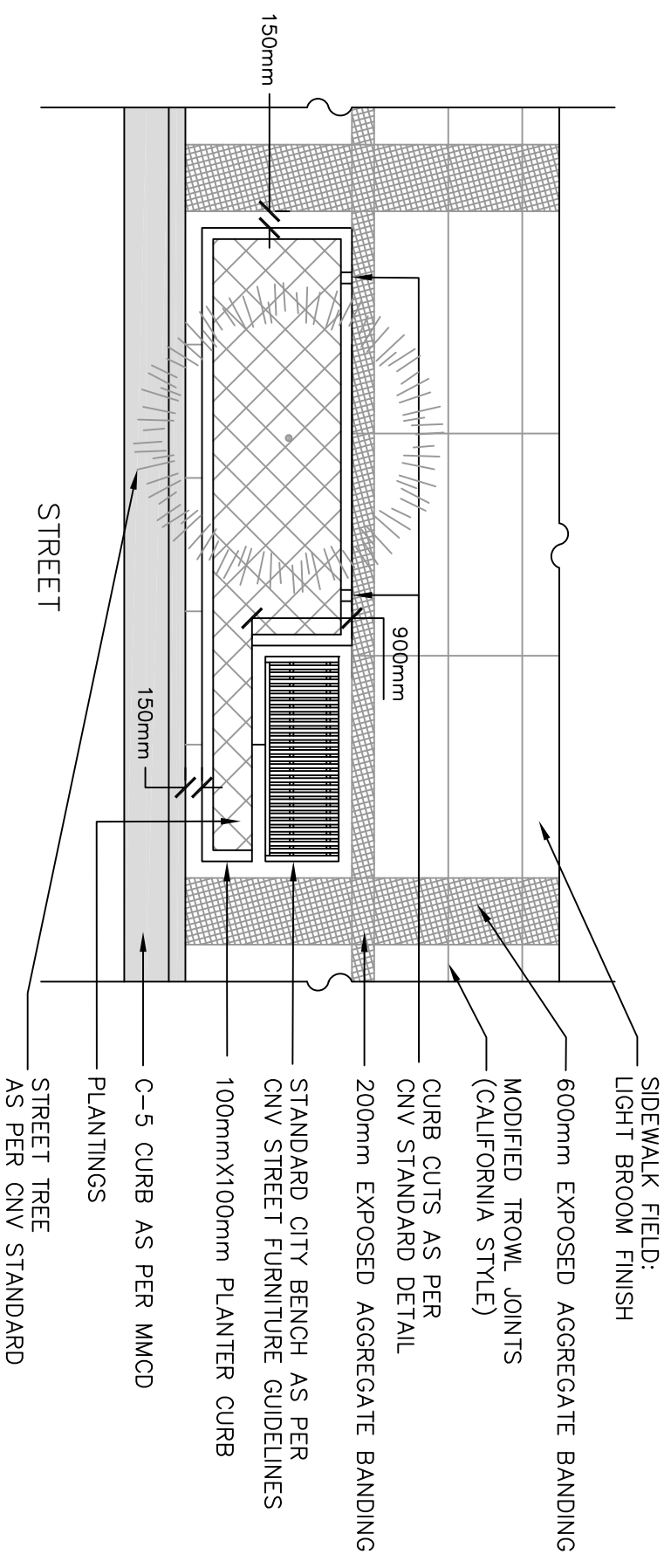
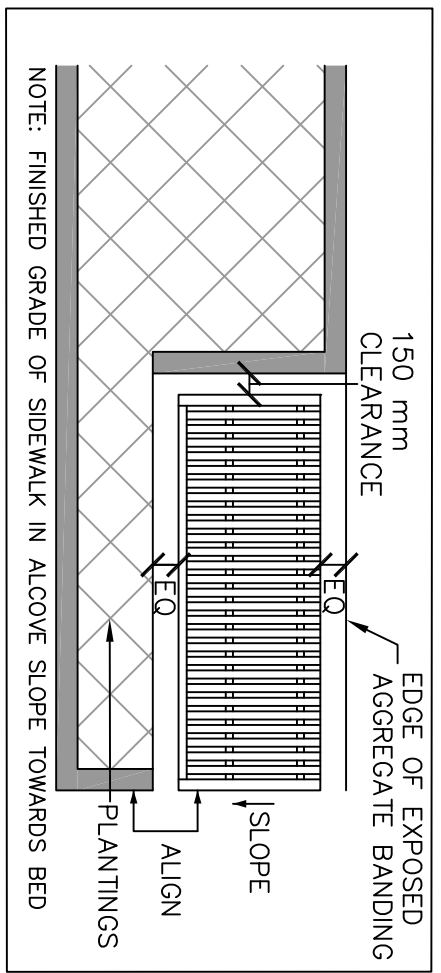
STREET

CITY OF NORTH VANCOUVER

Lonsdale Streetscape Standard – Tree Grate Detail

LOCATION: X:/EPE PROJECTS/5400-19-02 STREETScape DESIGN GUIDELINES/FILE		DRAWING No. LSS-02	
DRAWN: E. Taha	CHECKED:	APPROVED: D. Pope	DATE: REVISED- August, 2014

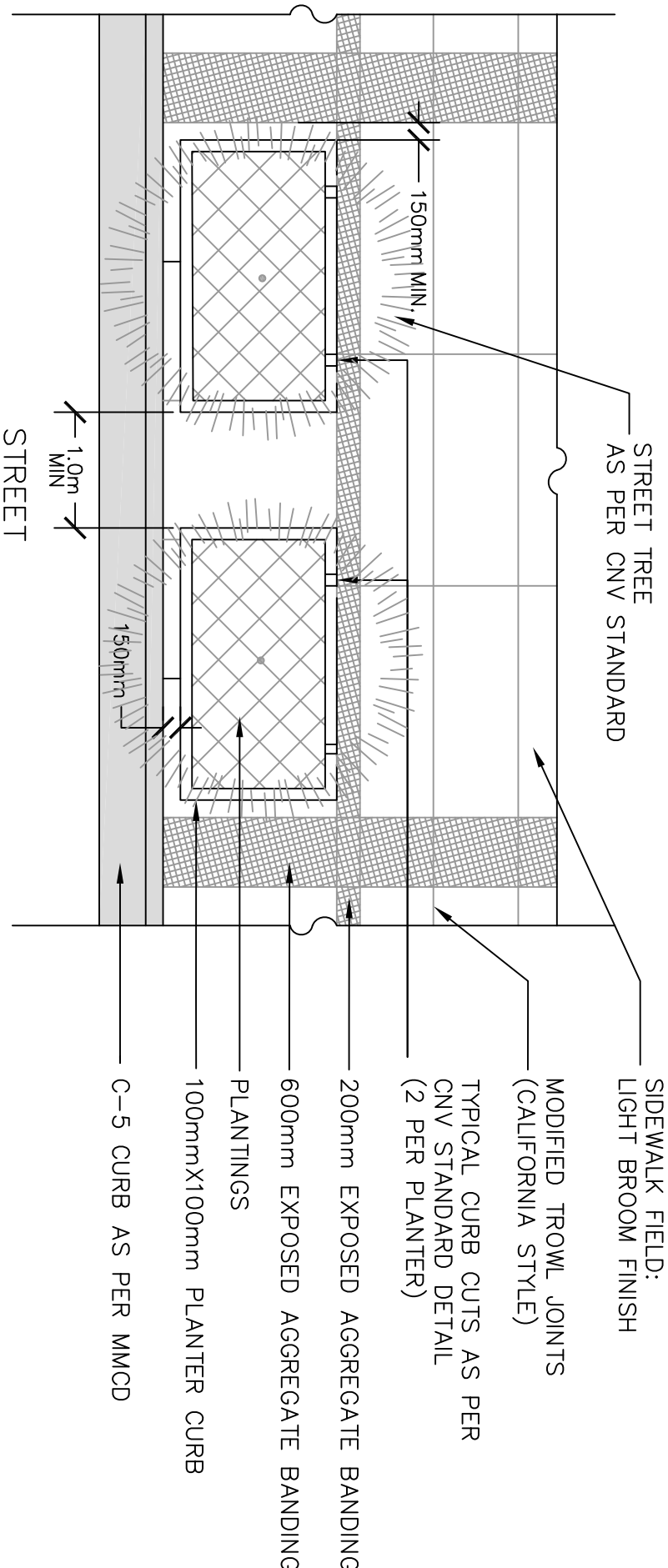
DETAIL: BENCH ALCOVE



CITY OF NORTH VANCOUVER

Lonsdale Streetscape Standard – Single Planter with Curb, Tree and Bench

LOCATION: X:/EPE PROJECTS/5400-19-02 STREETScape DESIGN GUIDELINES/FILE	APPROVED: D. Pope	DWG.No. LSS-03
DRAWN: E. Toha	DATE: REVISED - August, 2014	
CHECKED:		



STREET TREE  
AS PER CNV STANDARD

SIDEWALK FIELD:  
LIGHT BROOM FINISH

MODIFIED TROWL JOINTS  
(CALIFORNIA STYLE)

TYPICAL CURB CUTS AS PER  
CNV STANDARD DETAIL  
(2 PER PLANTER)

200mm EXPOSED AGGREGATE BANDING

600mm EXPOSED AGGREGATE BANDING

PLANTINGS

100mmX100mm PLANTER CURB

C-5 CURB AS PER MMCD

1.0m  
MIN

STREET

CITY OF NORTH VANCOUVER

Lonsdale Streetscape Standard – Planters with Street Trees

LOCATION: X:/EPE PROJECTS/5400-19-02 STREETScape DESIGN GUIDELINES/FILE

DRAWN: E. Tahra

CHECKED:

APPROVED:

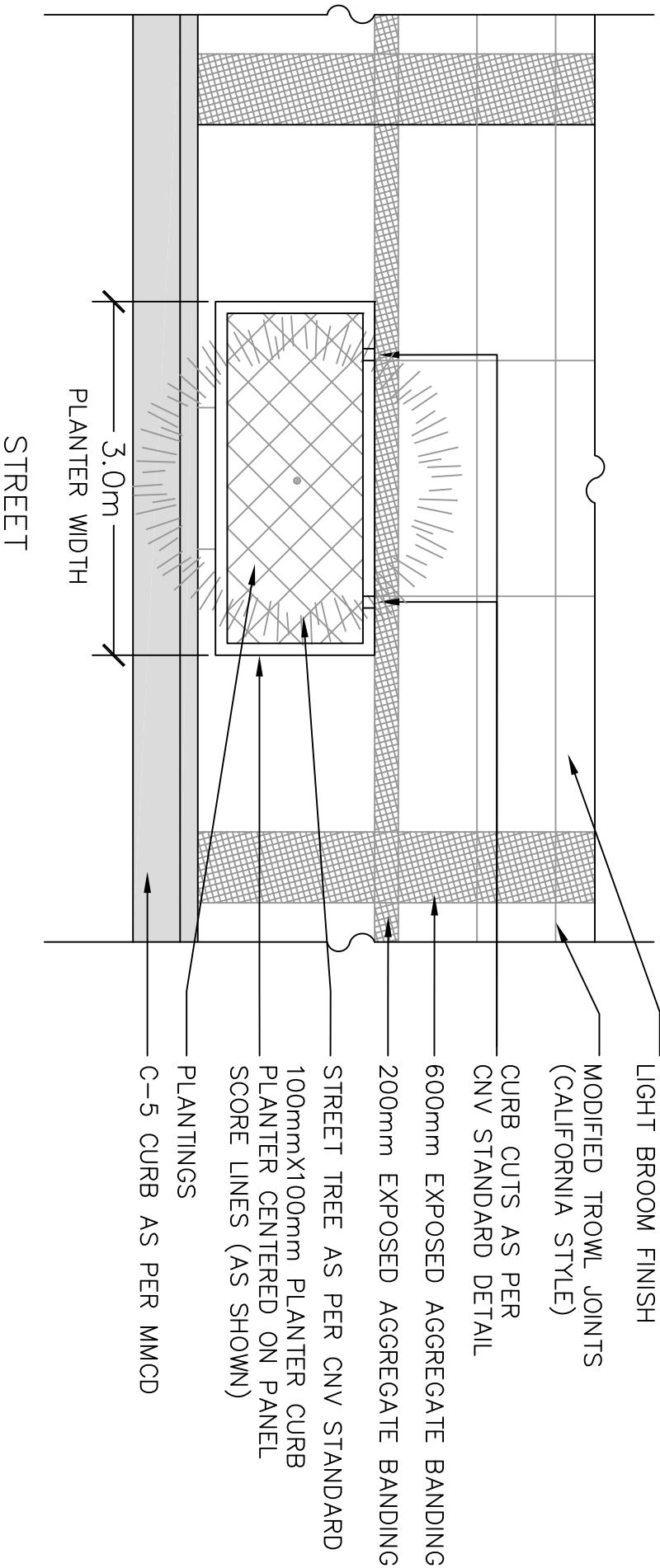
D. Pope

DATE:

REVISED - August, 2014

DWG.No.

LSS-04



CITY OF NORTH VANCOUVER

Lonsdale Streetscape Standard – Single Planter (Reduced Size) with Tree

LOCATION: X:/EPE PROJECTS/5400-19-02 STREETScape DESIGN GUIDELINES/FILE	APPROVED:	DATE:	DWG.No.
DRAWN: E. Toha	CHECKED:	D. Pope	LSS-05
		REVISED - August 2014	