

**ON-SITE  
STORM WATER  
SOURCE  
CONTROLS**

**Typical  
Rainwater Tank  
with Slow  
Release Design**

Storm Water  
Management  
South Side Lot

DATE: DEC. 14, 2016

REV. NO.: 0

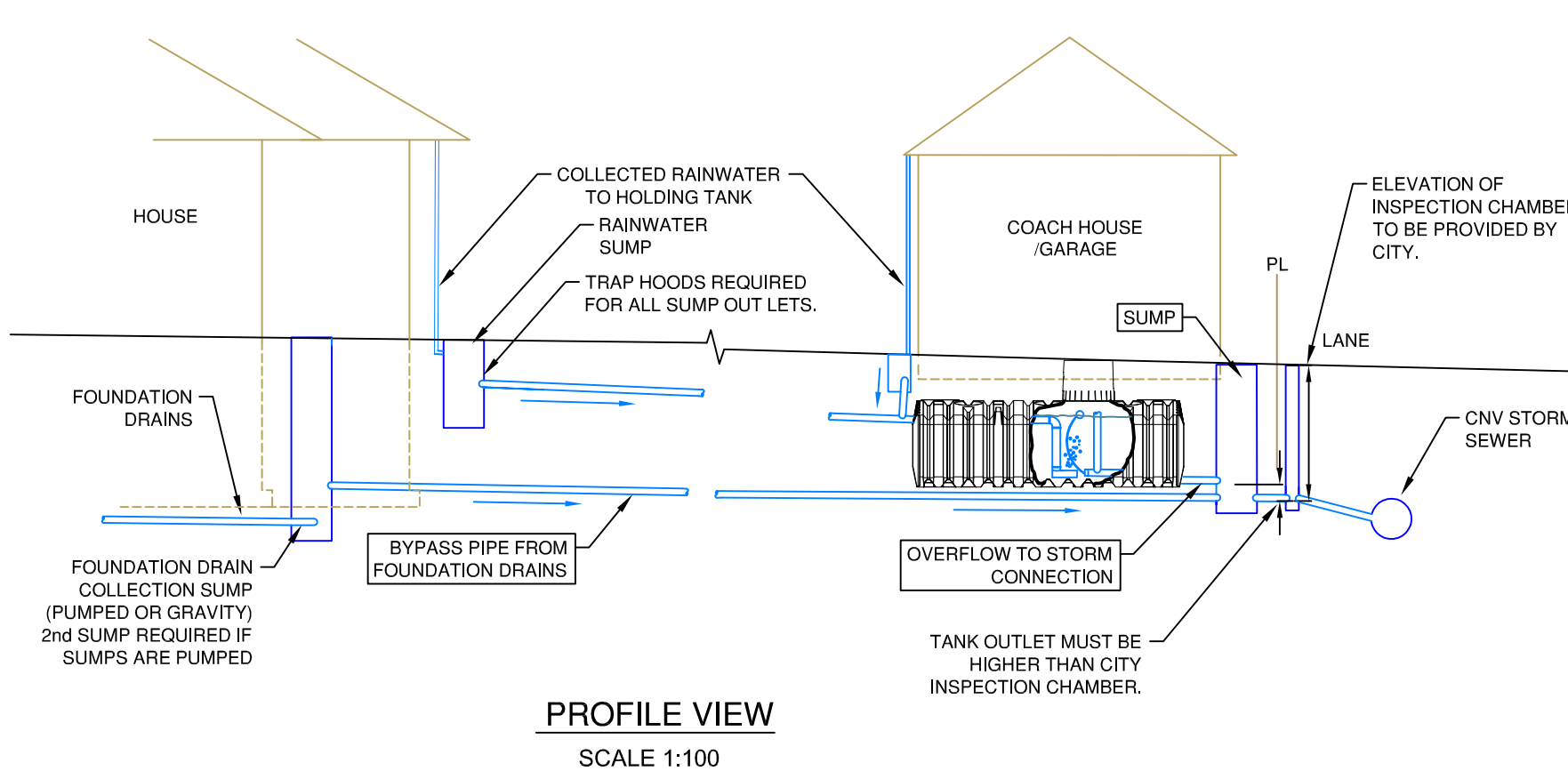
DWG.No.: SWMP - 06

SCALE: AS SHOWN

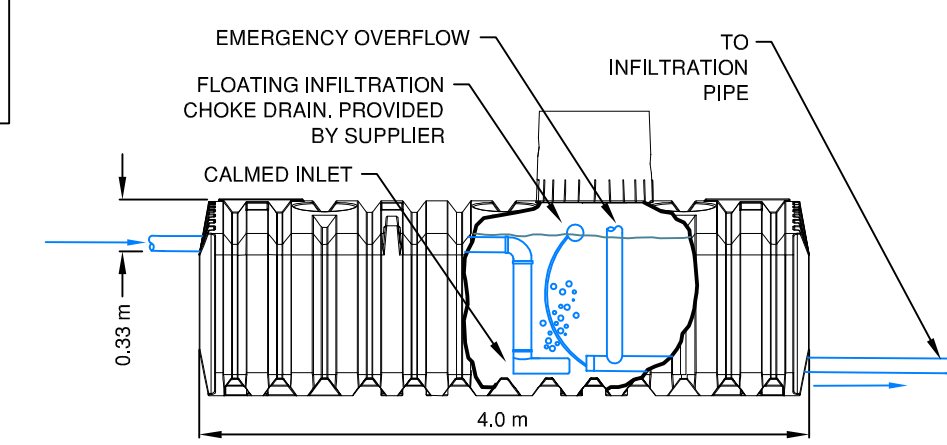
DRAWN: JN

CHECKED: DTM

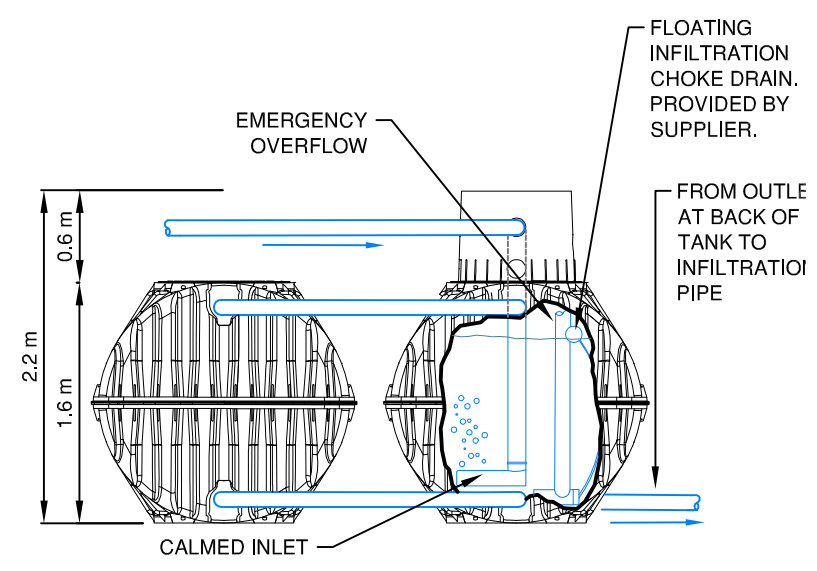
APPROVED: DTM



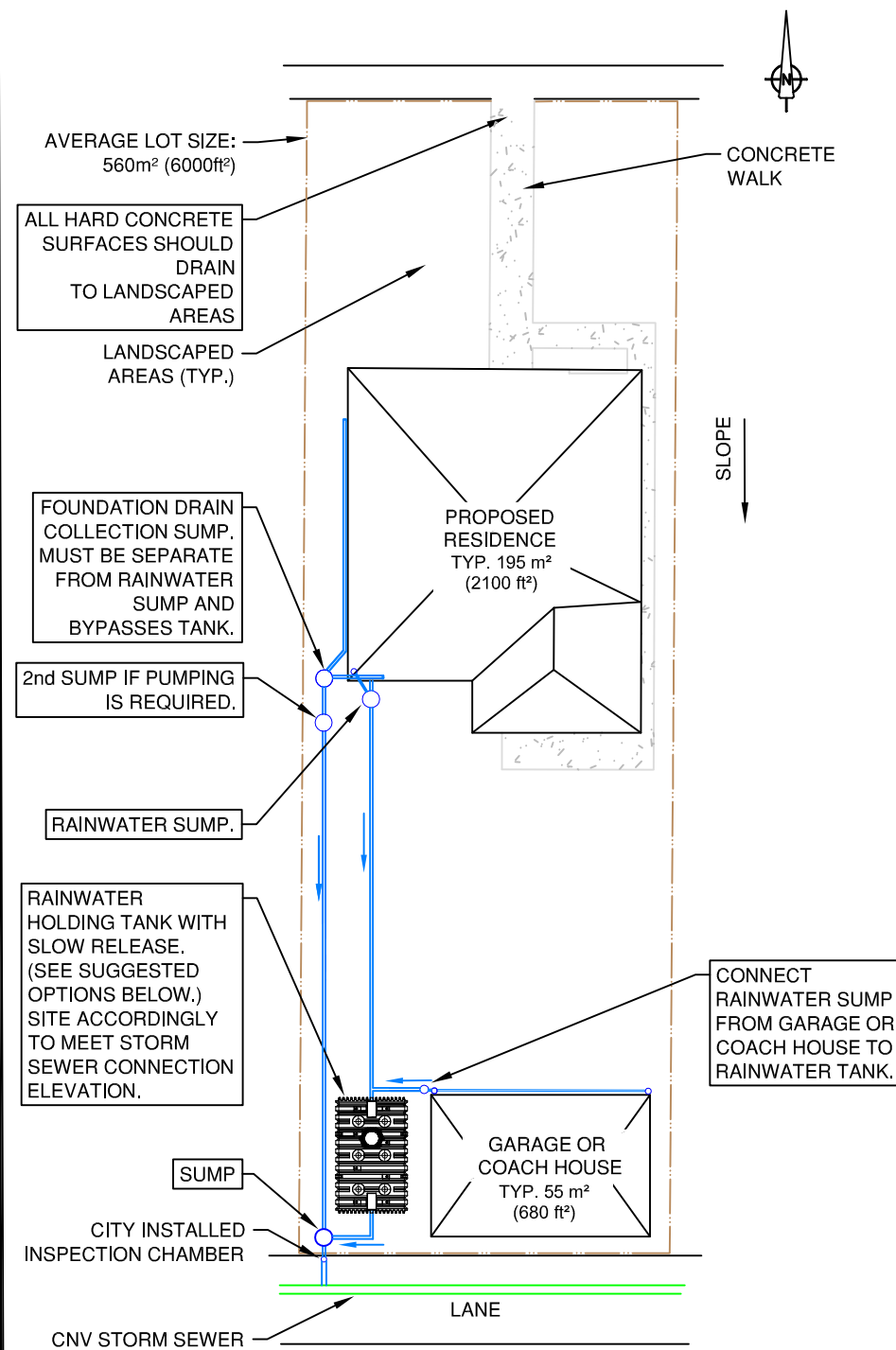
**PROFILE VIEW**  
SCALE 1:100



**NORWESCO 9400 I TANK CONFIGURATION**  
1:50



**2 - 3750 I CARAT TANKS CONFIGURATION**  
1:50



**SOUTH SIDE LOT**  
SCALE 1:250

SUGGESTED RAINWATER TANKS					
NAME	VOLUME (LITER)	COMPANY	CONTACT	TOTAL HEIGHT	
GRAF CARAT 3730 I (2 TANK) SYSTEM	7500	BARR PLASTICS	604-852-8522	2.2 m (7'3")	MID HEIGHT
NORWESCO 9400 I HOLDING TANK C/W GRAF FLOATING OUTLET.	9400	BARR PLASTICS	604-852-8522	1.3 m (4'2")	LOWEST PROFILE

FOR TRAFFIC AREAS, VEHICLE LOAD LIMITATIONS SHOULD BE REVIEWED WITH THE TANK SUPPLIER

FILE: X:\EPE PROJECTS\5225 DRAINAGE AND FLOOD CONTROL\5225-01 STOM SEWER PLANNING AND ASSESSMENT\400-WORK\DEVELOPMENT SOURCE CONTROL STANDARDS\3-RAINWATER TANK WITH SLOW RELEASE\CNV - SWMP - 05-06 - RAINWATER TANK WITH SLOW RELEASE - 20161201.DWG USER: JNYVAAL